



TECHNICAL SPECIFICATIONS

Jakarta - Indonesia



A. GENERAL CHARACTERISTICS

Design standards	: IEC 76
Transformer type	: Hermetically Sealed Totally Oil Filled
Service Condition	: Indoor
Type of oil	: Mineral Oil Class 1 acc. to IEC 296
Number of phase	: 3 Phase
Frequency	: 50 Hz

B. TECHNICAL SPECIFICATION

Capacity	: 3000 kVA
Primary Voltage	: 20 kV
Secondary Voltage	: 0.4 kV
Vector Group	: Dyn5
Cooling	: ONAN
Temperature Rise - Oil	: 60 oC
- Winding	: 65 oC
No load losses at nominal voltage	: 3200 Watts
On load losses at principal tapping	: 37500 Watts
Impedance voltage	: 7 %
Off load current at nominal voltage	: 1.7 %
Temperature Insulation Class	: A
Noise	: 62 dB
Tapping value	: +/-2.5%; +/-5%

C. INSULATION CLASS OF THE WINDINGS

	Primary	Secondary
Highest system voltage (kV)	: 24	1.1
Impulse test voltage (kV)	: 125	0
Applied test voltage (kV)	: 50	3

D. EFFICIENCY AND VOLTAGE REGULATION

	Efficiency (%)				Voltage Regulation	
	4/4 load	3/4 load	2/4 load	1/4 load	in Volt	in %
Pf 0.8	98.33	98.67	98.96	99.08	379	5.25
Pf 1.0	98.66	98.93	99.17	99.27	394	1.49

E. APPROXIMATE WEIGHTS AND DIMENSION

Total length	: 2,420 mm
Total width	: 1,460 mm
Total height	: 2,225 mm
Weight of oil	: 1,520 kg
Weight of core and winding	: 2,195 kg
Total weight	: 5,700 kg
Approximate Drawing No.	:
Painting Colour	: Light Grey RAL 7032

The above dimensions and masses are approximate and provided to give a general description of our proposed transformer.

Revision	Original		Client / Project:	No	: D 8097
Date	25-Jan-10			Page	: 1 / 2
Est.	SGT				
Chk					
App.					



TECHNICAL SPECIFICATIONS

Jakarta - Indonesia



F. ACCESSORIES

- Name Plate and Rating Plate
- HV Plug in Bushings and LV Porcelain Bushings
- Off Circuit Tap Changer
- Oil Filling Valve
- Oil Draining Valve
- Lifting Lugs
- Grounding Terminal
- Protection Relay RIS
- Pressure Relief Device Without Contact

G. DEVIATIONS / EXCEPTIONS

- None

H. NOTES

- None

I. LIST OF TEST

Routine Test :

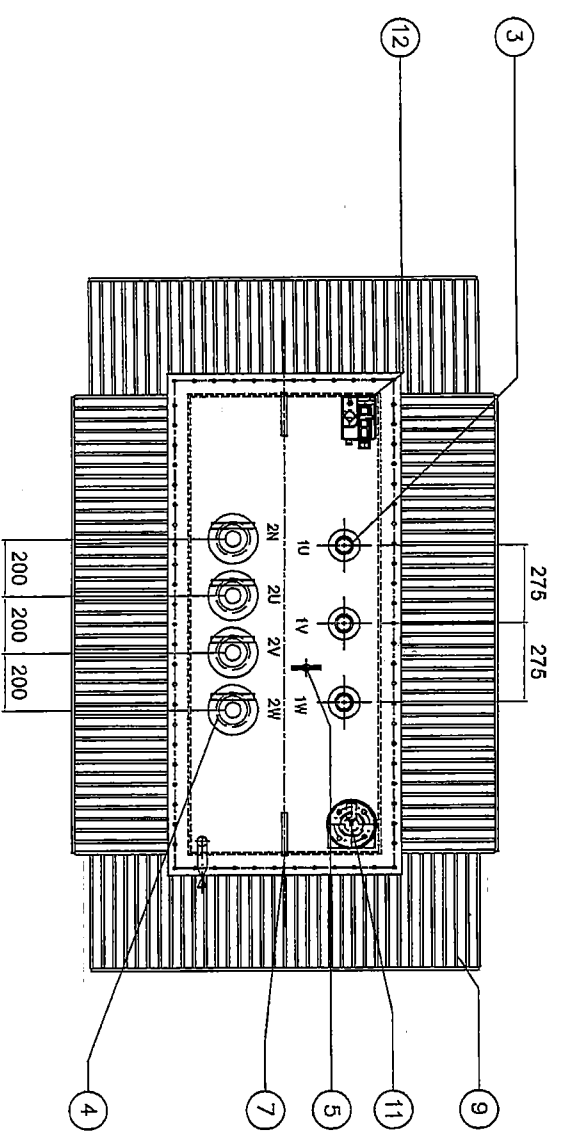
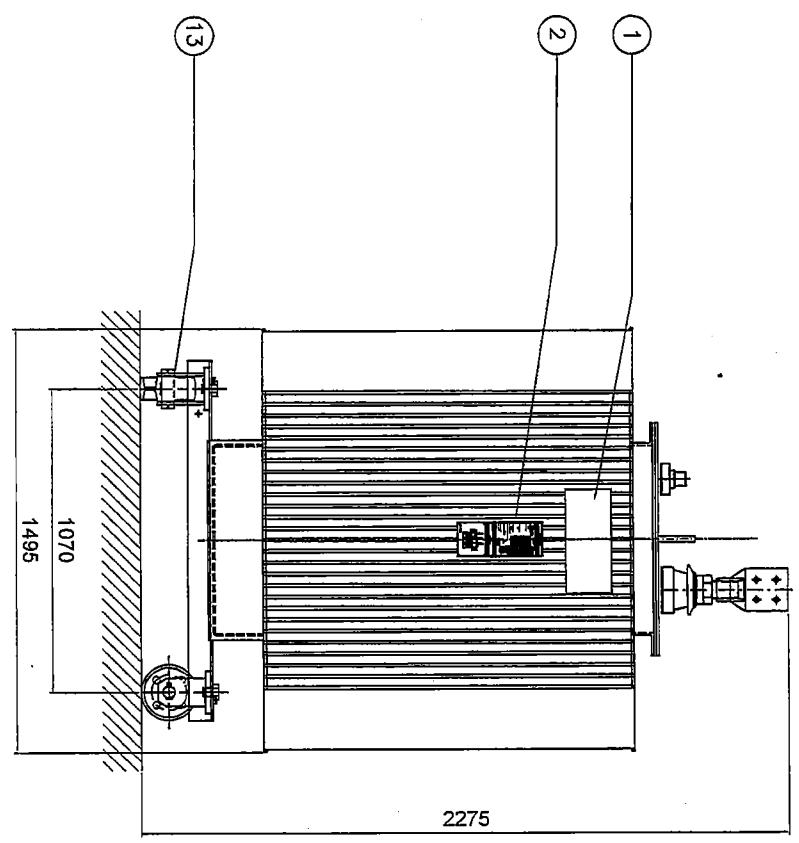
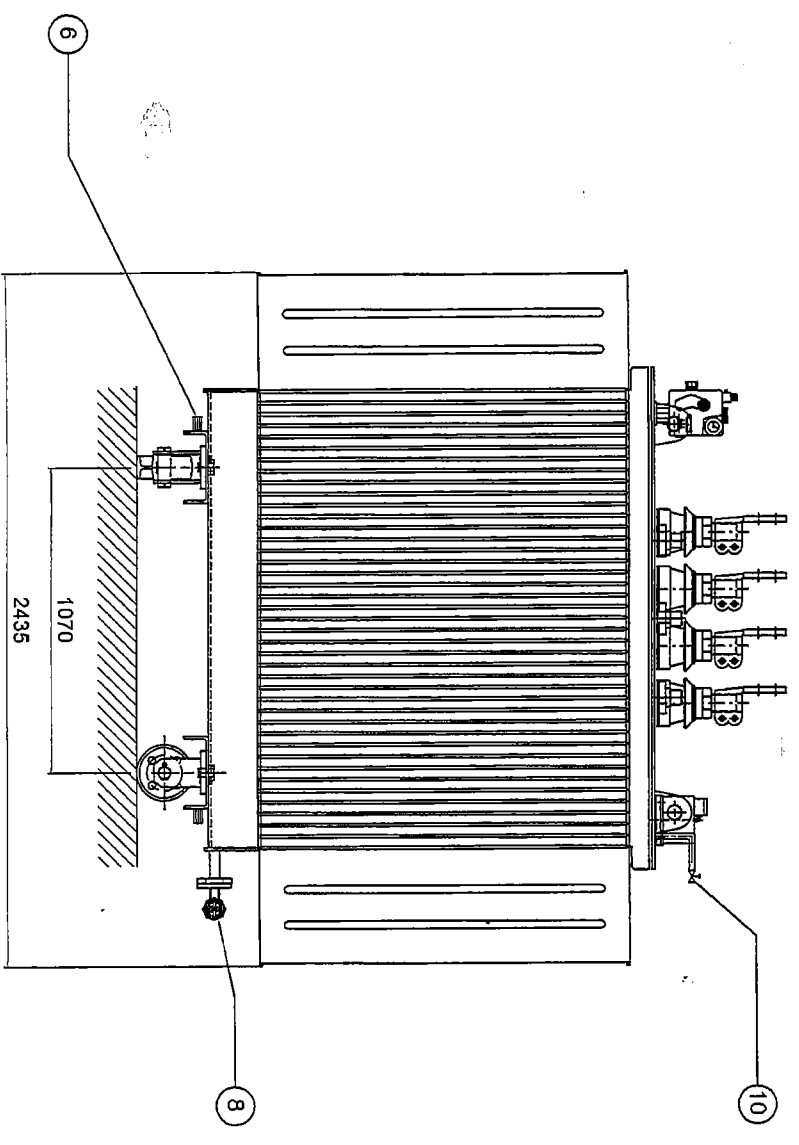
	Yes	No
- Measurement of the resistance value and checking of polarities :	<input checked="" type="checkbox"/>	<input type="checkbox"/>
- Measurement of the ratio on all taps :	<input checked="" type="checkbox"/>	<input type="checkbox"/>
- No load test for measurement of the no load loss and no load current :	<input checked="" type="checkbox"/>	<input type="checkbox"/>
- Short circuit test for determination of the on load loss and impedance :	<input checked="" type="checkbox"/>	<input type="checkbox"/>
- Applied voltage test :	<input checked="" type="checkbox"/>	<input type="checkbox"/>
- Induced voltage test :	<input checked="" type="checkbox"/>	<input type="checkbox"/>

Type test :

- Temperature rise test :	<input type="checkbox"/>	<input checked="" type="checkbox"/>
- Full wave impuls test (1.2 / 50 us) :	<input type="checkbox"/>	<input checked="" type="checkbox"/>

Tests other than the above mentioned list needs further confirmation

Revision	Original	Client / Project:	No	: D 8097
Date	25-Jan-10		Page	: 2 / 2
Est.	SGT			
Chk				
App.				



- NOTES :**
1. NAME PLATE
 2. RATING PLATE
 3. HV PLUG IN BUSHING 24KV/250A
 4. LV PORCELAIN BUSHING 3KV/4500A
 5. OFF CIRCUIT TAP CHANGER
 6. EARTHING TERMINAL (2 PCS)
 7. LIFTING LUGS
 8. DRAINING VALVE
 9. RADIATOR FINS
 10. FILLING VALVE (SUITABLE FOR FILTER PRESS CONNECTION)
 11. PRESSURE RELIEF DEVICE WITHOUT CONTACT
 12. R.I.S PROTECTION RELAY
 13. BIDIRECTIONAL ROLLER
- ELECTRICAL CHARACTERISTICS**
- | | |
|-----------------------|-----------------------|
| STANDARD | : IEC 60076 |
| TYPE | : ONAN |
| RATING | : 3000 KVA |
| PRIMARY VOLTAGE | : 20 KV |
| SECONDARY VOLTAGE | : 0.4 KV |
| TEMPERATURE RISE | : 60/65°C |
| FREQUENCY | : 50HZ |
| VECTOR GROUP | : Dyn5 |
| OIL WEIGHT | : 1650 KG. |
| CORE & WINDING WEIGHT | : 2600 KG. |
| APPR WEIGHT | : 6500 KG. |
| PAINTING COLOUR | : LIGHT GREY RAL 7032 |

00	ORIGINAL ISSUE	27/02/13 NR	FEFB	BW
Rev.	Modification	Date	By	Check/Review/Approved
Project		Schneider Electric		
Title: GENERAL ARRANGEMENT DRAWING		Scale: A3	Sheet: 1/1	
Drawing No: R.9946.G105				